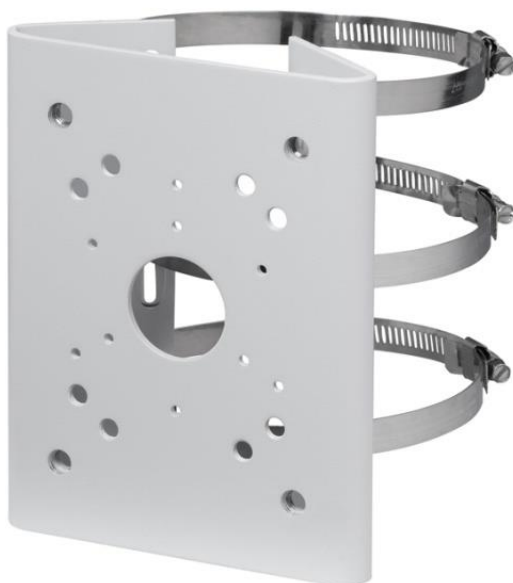


PFA150

Pole Mount Bracket



Features

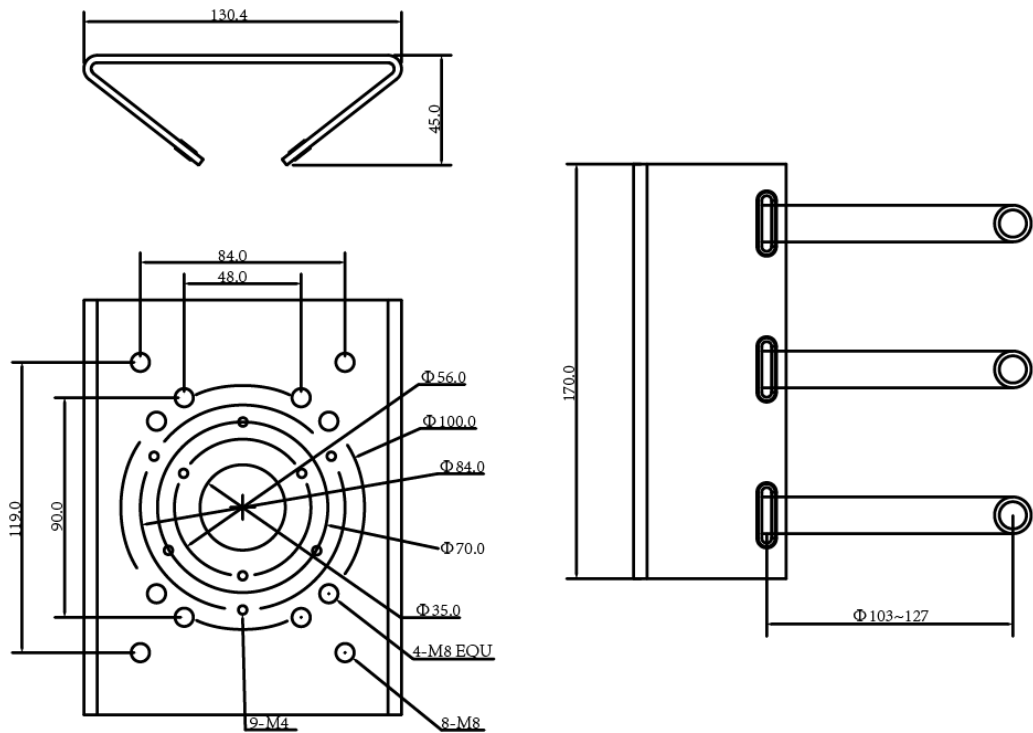
- Material: SECC
- Pole Mount Bracket
- Neat & Integrated design

Specifications

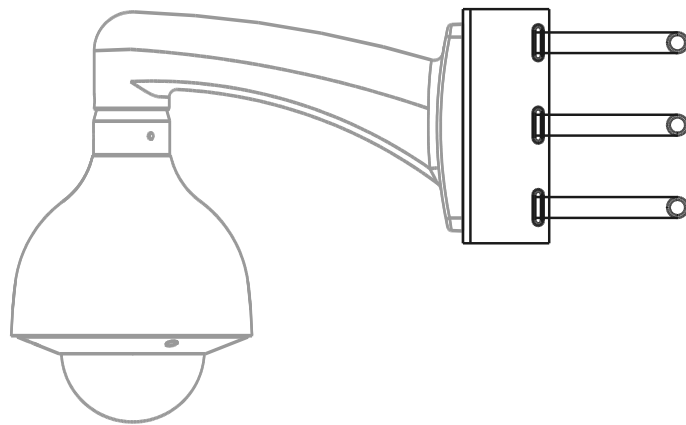
Model	PFA150
General	
Material	SECC
Dimension (W x H x D)	130.4mm x 170mm x 45mm
Pipe Thread	N/A
Operating Temperature	-40°C ~60°C
Humidity	0~90% RH
Load Bearing	10.0Kg
Weight	0.93Kg
Applicable Model	Please see "Accessory Selection"

PFA150

Dimensions (mm)



Application



©2015 ADT LLC dba ADT Security Services. All rights reserved.

This material is for internal company use only.